

Bibury 4

WHISTLER GRILLS

FREESTANDING RANGE

THE BIBURY RANGE - BIBURY 4

34" 4 BURNER GAS GRILL



The Bibury range is the most impressive of the Whistler portfolio. Manufactured from 304 stainless steel throughout, these sophisticated grills are premium in every aspect, with quality being key in the design process. Whilst the Bibury range competes with the very best in the market, Whistler go above and beyond by including a rotisserie and cover within the already competitive price. With the Bibury's impressive LED light control panel, you can party the night away without having to worry about light restrictions!

The Bibury 4 burner is the perfect size for a family gathering, whilst also being suitable for commercial use. This grill is the workhorse of this range and is a fantastic addition to any household or outdoor entertainment area for those looking for a premium BBQ at an affordable price.

- 304 stainless steel
- BTU's per Main burner 15,000, Sear 12,000, Rear 15,000, Total BTU's: 87,000
- Free rotisserie, food grade 304 stainless steel cooking grate, covered sear burner and quality cover
- LED control panel and halogen cooking surface lights
- Flame thrower ignition
- Double skin hood
- Smoker Box offered as an additional extra
- Comes fully assembled, with the exception of side tables
- LPG only



Dimensions (MM):

Width: 1585.8 With side tables Depth: 708.5 Height: 1284.6 Cooking area: 812.8 x 482.6 Weight: NW 103.98 KG

www.whistlergrills.com

email: sales@whistlergrills.com



Whistler Grills Limited

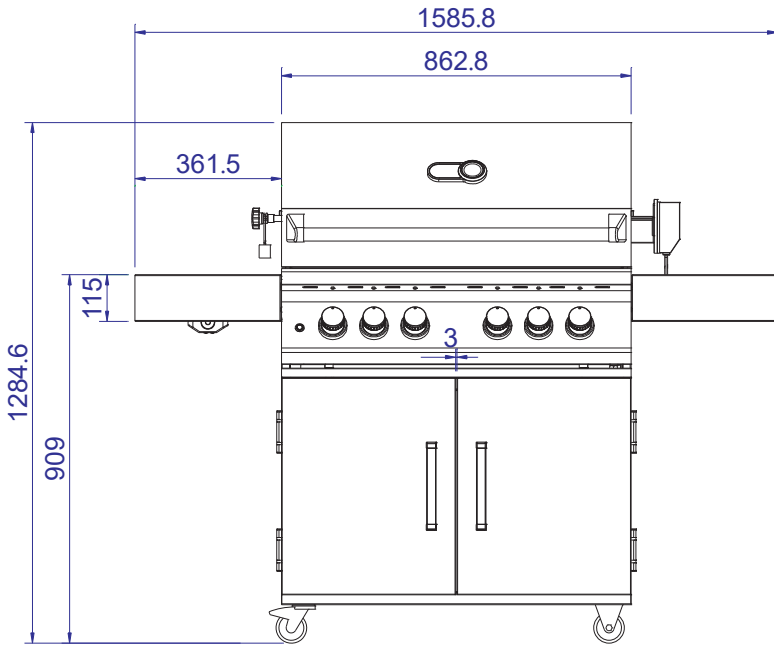


GrillsLimited

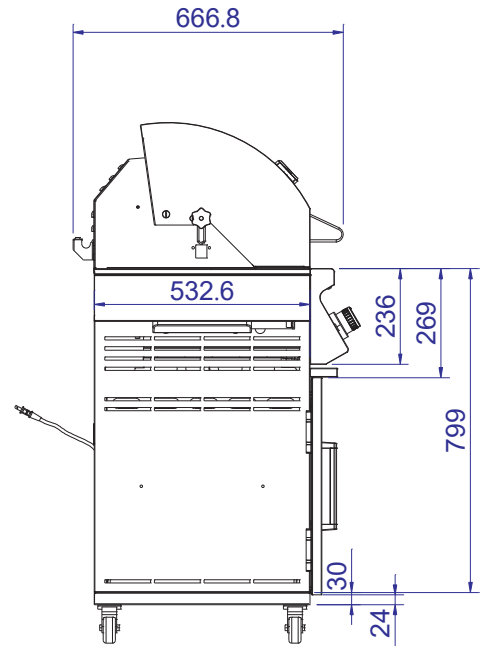


WhistlergrillsLtd_

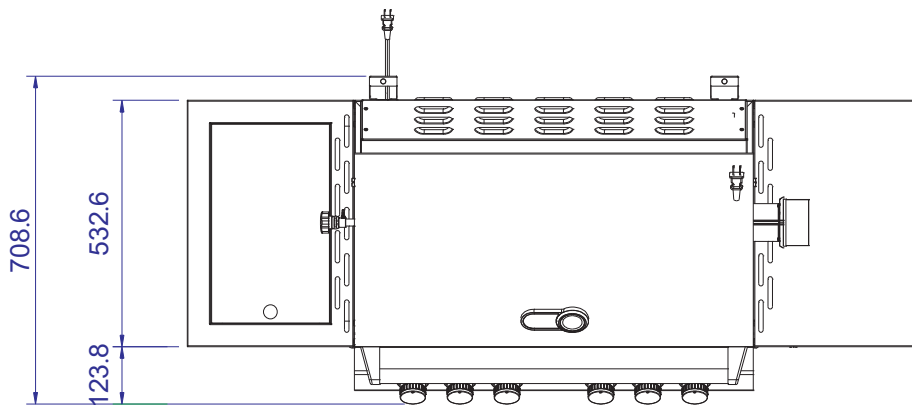
Bibury 4



Front View



Side View



Vertical View