

# Bibury 5

## WHISTLER GRILLS

### FREESTANDING RANGE

## THE BIBURY RANGE - BIBURY 5

42" 5 BURNER GAS GRILL



The Bibury range is the most impressive of the Whistler portfolio. Manufactured from 304 stainless steel throughout, these sophisticated grills are premium in every aspect, with quality being key in the design process. Whilst the Bibury range competes with the very best in the market, Whistler go above and beyond by including a rotisserie and cover within the already competitive price. With the Bibury's impressive LED light control panel, you can party the night away without having to worry about light restrictions!

The Bibury 5 is the flagship of the Whistler portfolio and more than competes with the top premium grills in the market. This BBQ easily caters for large gatherings, as well as commercial use with its almighty 5 burners and extremely large cooking area.

- 304 stainless steel
- BTU's per Main burner 15,000, Sear 12,000, Rear 15,000, Total BTU's: 102,000
- LED control panel and halogen cooking surface lights
- Free rotisserie, food grade 304 stainless steel cooking grate, quality cover, covered sear burner all included
- Double skin hood
- Smoker Box included
- Comes fully assembled, with the exception of side tables
- Heat dividers included
- LPG only



Dimensions (MM):

Width: 1789 With side tables Depth: 689.7 Height: 1284.6 Cooking area: 1016 x 482.6 Weight: NW 133.50 KG

[www.whistlergrills.com](http://www.whistlergrills.com)

email: [sales@whistlergrills.com](mailto:sales@whistlergrills.com)



Whistler Grills Limited

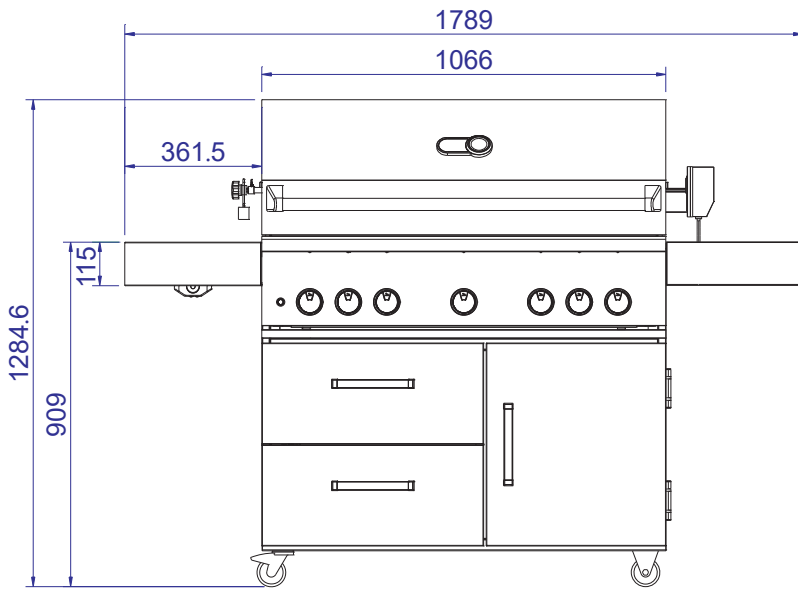


GrillsLimited

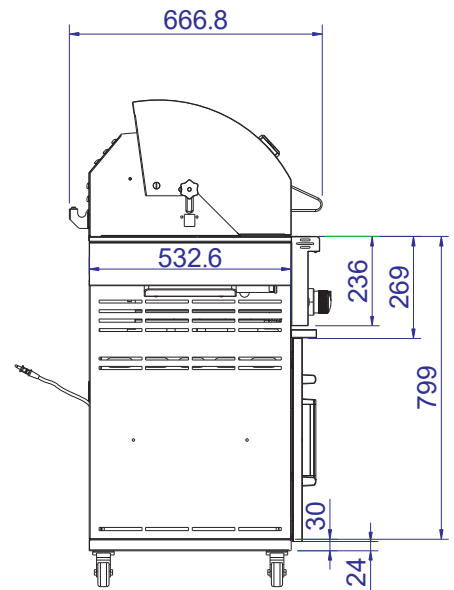


WhistlergrillsLtd\_

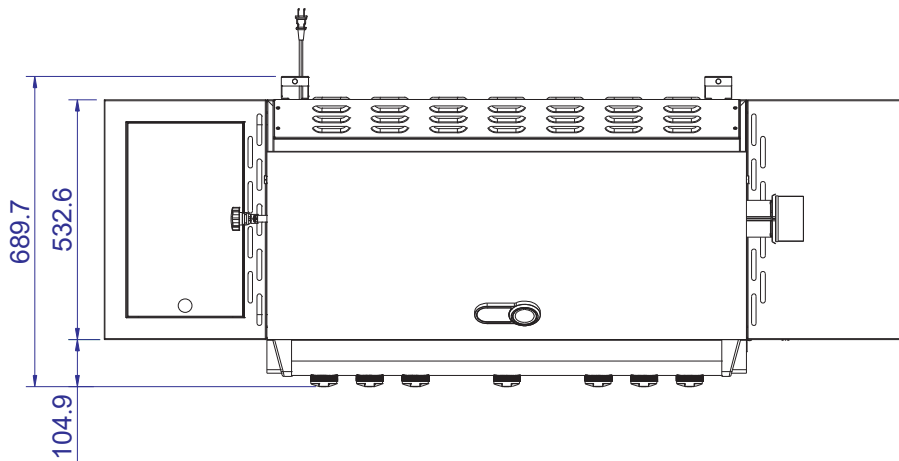
# Bibury 5



Front View



Side View



Vertical View